



APEX STACKERED



Manufactured in the United States by

PYRAMID TECHNOLOGIES, INC.

www.pyramidacceptors.com



APEX STACKERLESS

- ◆ Dual-stage optical anti-stringing
- ◆ Simple setup with Configuration Card
- ◆ 12VDC standard, optional 120VAC internal supply
- ◆ Lighted arrows on bezel and bill entry area
- ◆ High security against fraudulent bills
- ◆ Flash updates using a Palm™ PDA
- ◆ Pushbutton / LED on-board diagnostics
- ◆ Palm-based advanced diagnostics
- ◆ Numerous interfaces available - pinouts compatible with other manufacturers
- ◆ Bills up to 72mm wide accepted for foreign applications
- ◆ Automatic self-calibration - never requires user calibration
- ◆ Optional 500 Bill Locking Cashbox



Pyramid Technologies, Inc.

1718 North Quail

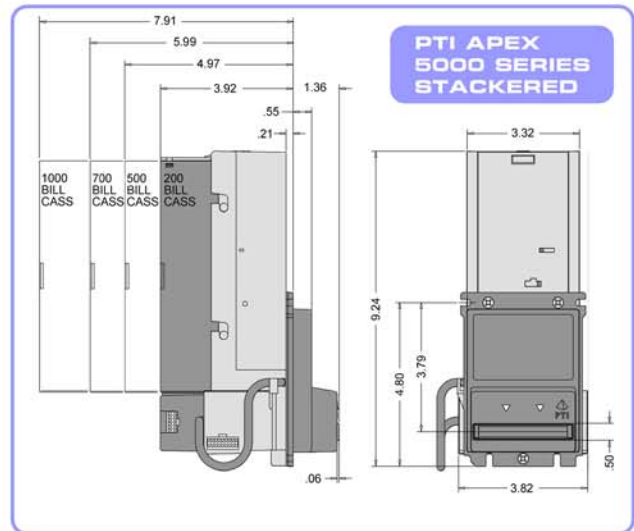
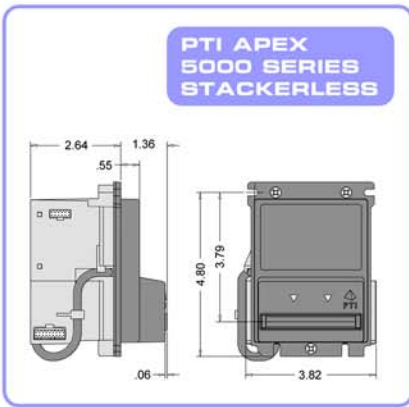
Mesa, AZ 85205 USA

Tel: 480.507.0088

Fax: 480.507.1922

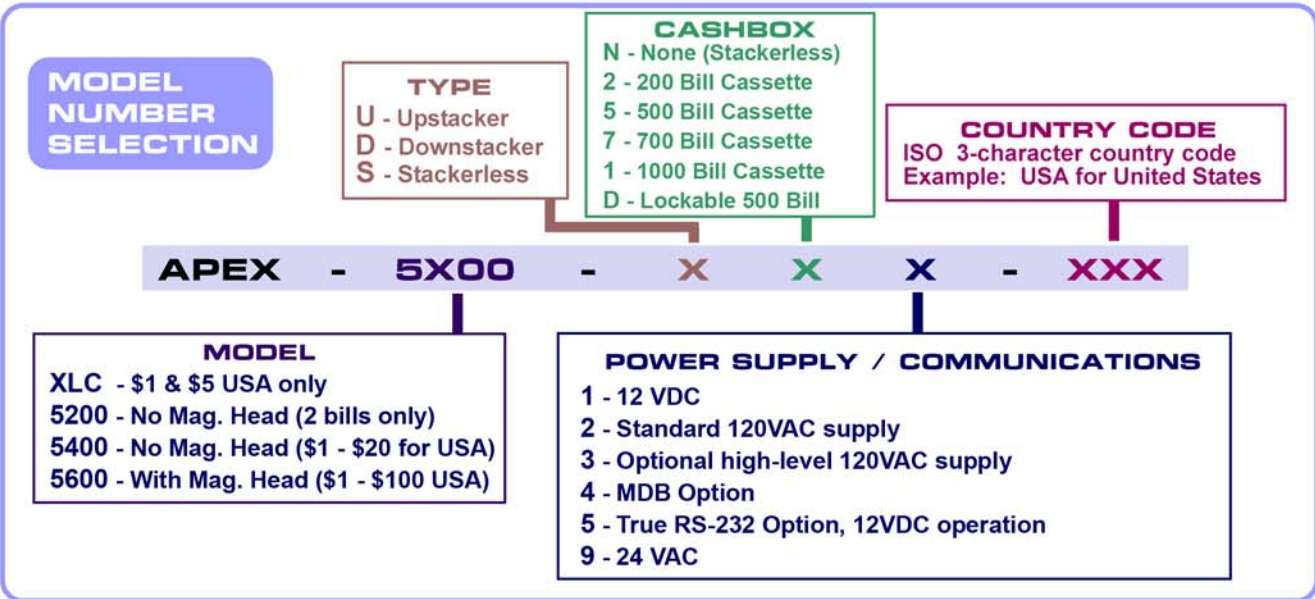


Made in U.S.A.



PYRAMID TECHNOLOGIES, INC.

www.pyramidacceptors.com



APEX 5000 SPECIFICATIONS

OPERATING VOLTAGE: 12VDC standard, 120VAC supply optional.
OPERATING CURRENT: 180mA idle; 500mA operating; 1.50A stalled.
OPERATING TEMP.: 0C to 60C, 90% non-condensing humidity.
ACCEPTANCE RATE: Greater than 95% (including second-time insertion of a rejected bill).
ACCEPTANCE SPEED: Approx. 20 bills per minute.
SENSOR ARRAY: (8) Optical Sensors; (1) Magnetic Head standard on \$50, \$100 version.
BILLS ACCEPTED: Up to 12 bills in all four directions.
NET WEIGHT: Stacked: 2.3 lbs / 1.04 kg.
WARRANTY: 2 years, parts and labor.